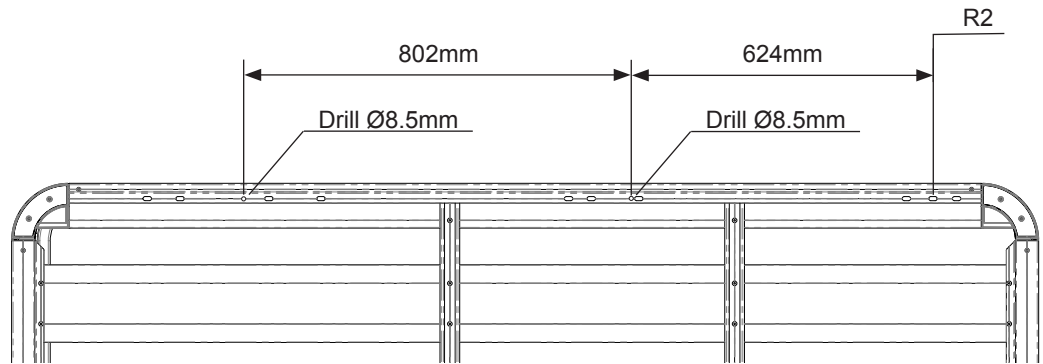


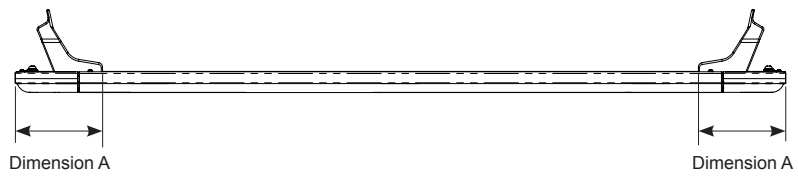


Fitting Chart - VOLKSWAGEN Transporter 2dr Van SWB (Low Roof) T5-T6

- PIONEER 41104** (2128 x 1426mm)
- PIONEER 42104B** (2128 x 1426mm)
- PIONEER 45104B** (2128 x 1426mm)



Front of Tray



Front Crossbar			Middle Crossbar			Rear Crossbar			Approx. Overall Vehicle Height
Front Slot	Dim. A	Leg Height Spacer	Middle Slot	Dim. A	Leg Height Spacer	Rear Slot	Dim. A	Leg Height Spacer	
Drill Hole Ø8.5mm	179mm	-	Drill Hole Ø8.5mm	177mm	-	R2	177mm	LHSPAIR	

Country	Vehicle	Running Date	Vehicle Load Rating (kg)	Fit Kit	Notes
Australia & NZ	VOLKSWAGEN Transporter 2dr Van SWB (Low Roof) T5-T6	08/04 - on	100 / 220	3 x RLFT5 1 x LHSPAIR	Pioneer roller can be fitted to the rear of this tray without having to adjust the fitment position.
South Africa	VOLKSWAGEN Transporter 2dr Van (Low Roof) T5-T6	08/04 - on			
UK & Europe	VOLKSWAGEN Transporter 2dr Van (Low Roof) T5-T6	2003 - on			

Rhino-Rack
 3 Pike Street, Rydalmere,
 NSW 2116, Australia.
 (Ph) (02) 9638 4744
 (Fax) (02) 9638 4822

Document No: R544
 Prepared By: Nigel Greig
 Authorised By: Chris Murty

Issue No: 2
 Issue Date: 12/09/2016

These instructions remain the property of Rhinorack Australia Pty Ltd and may not be used or changed for any other purpose than intended.